

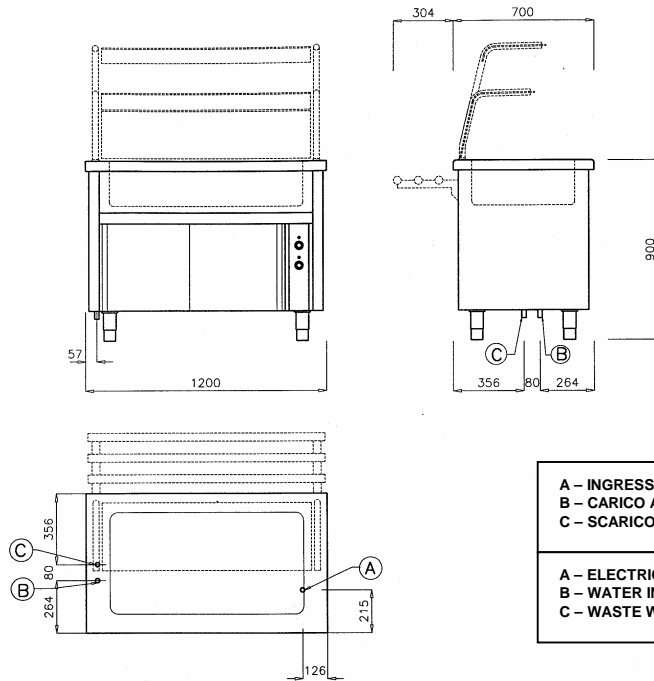
02/2016

Mod: BC23

Production code: 8035059

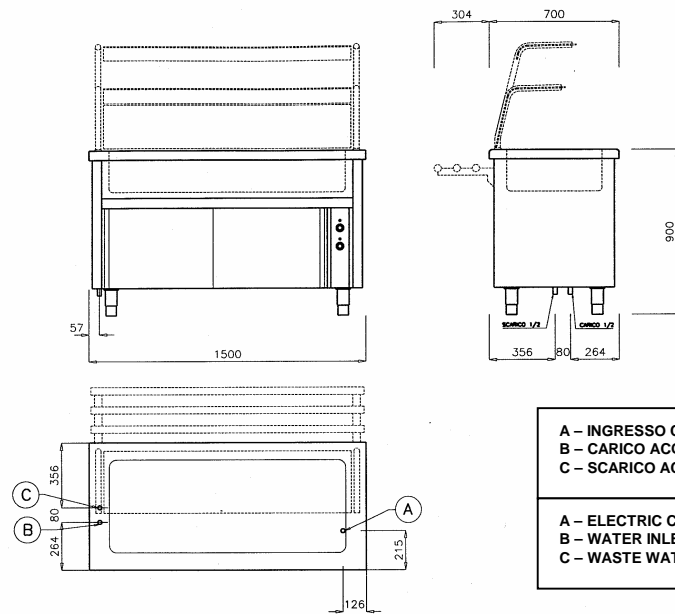


Mod. : BC 12 (8035015)



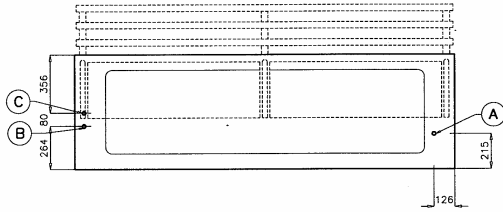
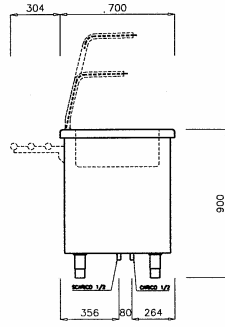
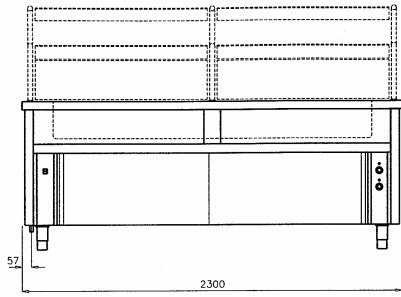
| | |
|---|---|
| <p>A - INGRESSO CAVO ELETTRICO B - CARICO ACQUA 1/2" C - SCARICO ACQUA 1/2"</p> | <p>A - ELEKTROANSCHLUSS B - EINLAUF WASSER 1/2" C - WASSERABFLUSS 1/2"</p> |
| <p>A - ELECTRIC CONNECTION B - WATER INLET 1/2" C - WASTE WATER OUTLET 1/2"</p> | <p>A - CABLE D'ALIMENTATION B - ENTREE EAU 1/2" C - EVACUATION EAU 1/2"</p> |

Mod. : BC 15 (8035016)



| | |
|---|---|
| <p>A - INGRESSO CAVO ELETTRICO B - CARICO ACQUA 1/2" C - SCARICO ACQUA 1/2"</p> | <p>A - ELEKTROANSCHLUSS B - EINLAUF WASSER 1/2" C - WASSERABFLUSS 1/2"</p> |
| <p>A - ELECTRIC CONNECTION B - WATER INLET 1/2" C - WASTE WATER OUTLET 1/2"</p> | <p>A - CABLE D'ALIMENTATION B - ENTREE EAU 1/2" C - EVACUATION EAU 1/2"</p> |

Mod. : BC 23 (8035059)



| | |
|---|---|
| <p>A - INGRESSO CAVO ELETTRICO B - CARICO ACQUA 1/2" C - SCARICO ACQUA 1/2"</p> | <p>A - ELEKTROANSCHLUSS B - EINLAUF WASSER 1/2" C - WASSERABFLUSS 1/2"</p> |
| <p>A - ELECTRIC CONNECTION B - WATER INLET 1/2" C - WASTE WATER OUTLET 1/2"</p> | <p>A - CABLE D'ALIMENTATION B - ENTREE EAU 1/2" C - EVACUATION EAU 1/2"</p> |