

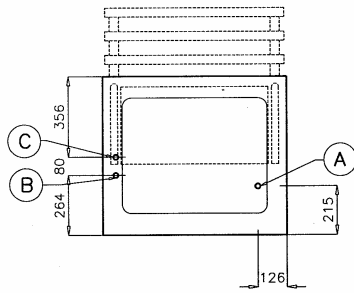
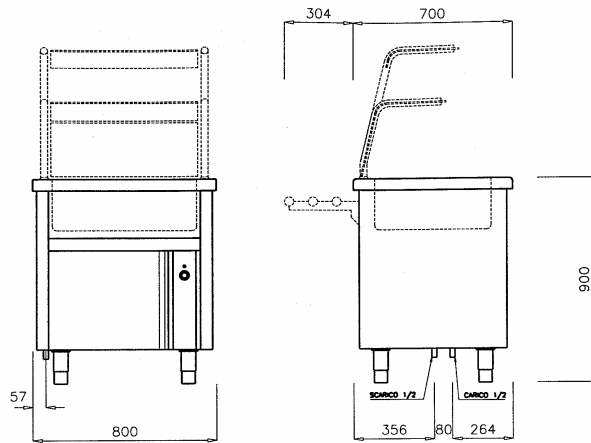
02/2016

# Mod: BA15

Production code: 8035014

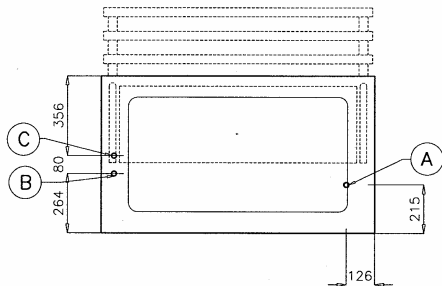
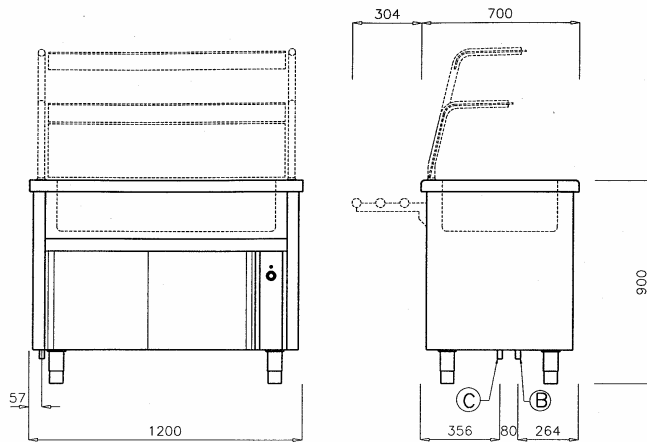


**Mod. : BA 8 (8035093)**



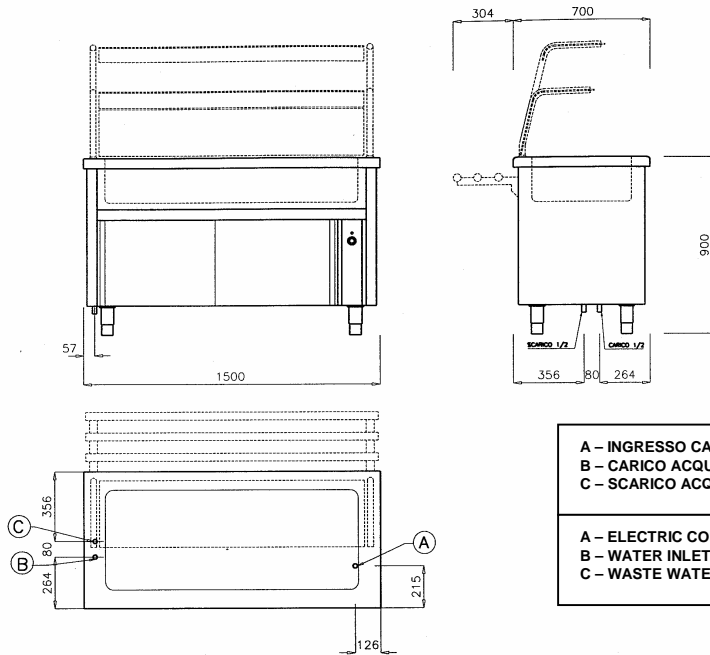
|  |  |
|--|--|
| A - INGRESSO CAVO ELETTRICO<br>B - CARICO ACQUA 1/2"<br>C - SCARICO ACQUA 1/2" | A - ELEKTROANSCHLUSS<br>B - EINLAUF WASSER 1/2"<br>C - WASSERABFLUSS 1/2"  |
| A - ELECTRIC CONNECTION<br>B - WATER INLET 1/2"<br>C - WASTE WATER OUTLET 1/2" | A - CABLE D'ALIMENTATION<br>B - ENTREE EAU 1/2"<br>C - EVACUATION EAU 1/2" |

**Mod. : BA 12 (8035013)**



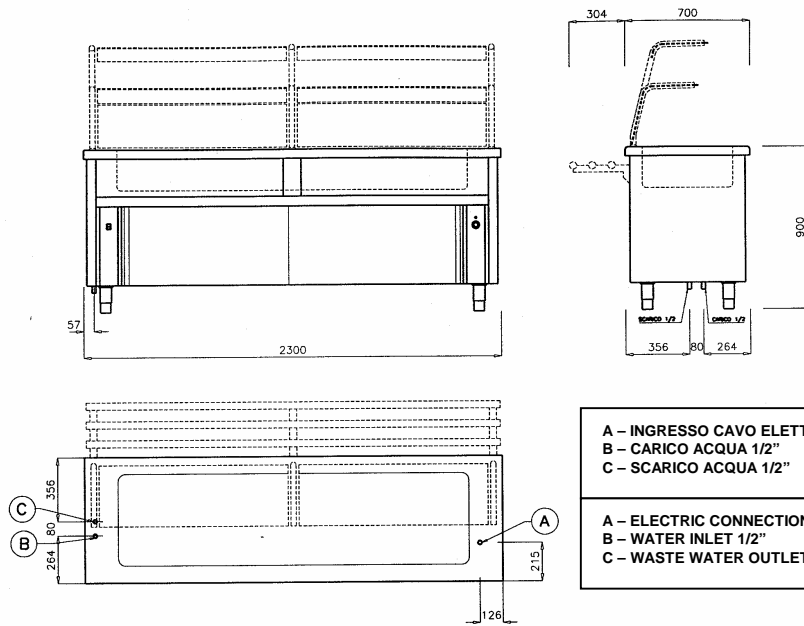
|  |  |
|--|--|
| A - INGRESSO CAVO ELETTRICO<br>B - CARICO ACQUA 1/2"<br>C - SCARICO ACQUA 1/2" | A - ELEKTROANSCHLUSS<br>B - EINLAUF WASSER 1/2"<br>C - WASSERABFLUSS 1/2"  |
| A - ELECTRIC CONNECTION<br>B - WATER INLET 1/2"<br>C - WASTE WATER OUTLET 1/2" | A - CABLE D'ALIMENTATION<br>B - ENTREE EAU 1/2"<br>C - EVACUATION EAU 1/2" |

**Mod. : BA 15 (8035014)**



|  |  |
|--|--|
| A - INGRESSO CAVO ELETTRICO<br>B - CARICO ACQUA 1/2"<br>C - SCARICO ACQUA 1/2" | A - ELEKTROANSCHLUSS<br>B - EINLAUF WASSER 1/2"<br>C - WASSERABFLUSS 1/2"  |
| A - ELECTRIC CONNECTION<br>B - WATER INLET 1/2"<br>C - WASTE WATER OUTLET 1/2" | A - CABLE D'ALIMENTATION<br>B - ENTREE EAU 1/2"<br>C - EVACUATION EAU 1/2" |

**Mod. : BA 23 (8035058)**



|  |  |
|--|--|
| A - INGRESSO CAVO ELETTRICO<br>B - CARICO ACQUA 1/2"<br>C - SCARICO ACQUA 1/2" | A - ELEKTROANSCHLUSS<br>B - EINLAUF WASSER 1/2"<br>C - WASSERABFLUSS 1/2"  |
| A - ELECTRIC CONNECTION<br>B - WATER INLET 1/2"<br>C - WASTE WATER OUTLET 1/2" | A - CABLE D'ALIMENTATION<br>B - ENTREE EAU 1/2"<br>C - EVACUATION EAU 1/2" |