

02/2016

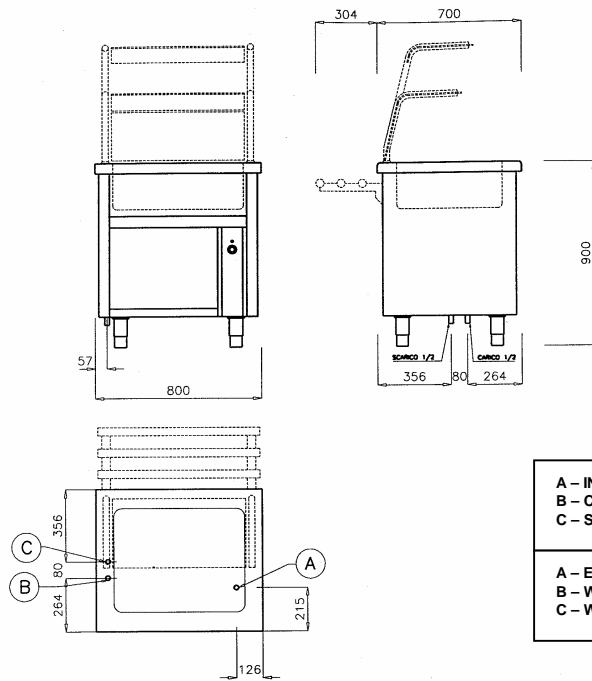
Mod: BT8

Production code: 8035009



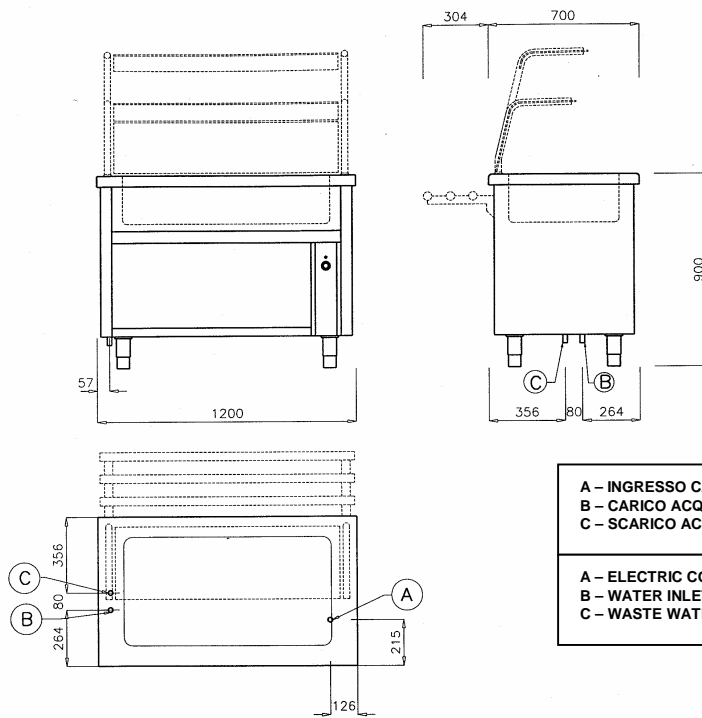
**SCHEMA DI INSTALLAZIONE- INSTALLATION DIAGRAM - INSTALLATIONSSCHEMA - SCHEMA
D'INSTALLATION
ELEMENTI BAGNOMARIA - BAIN-MARIE UNITS - BAINMARIE-ELEMENTE - ELEMENTS BAIN-MARIE**

Mod. : BT 8 (8035009)



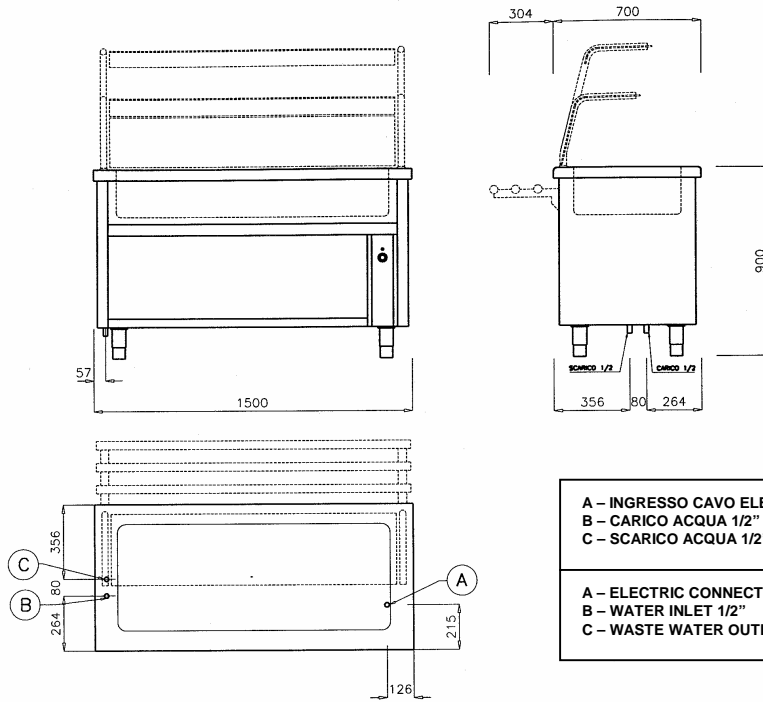
A - INGRESSO CAVO ELETTRICO B - CARICO ACQUA 1/2" C - SCARICO ACQUA 1/2"	A - ELEKTROANSCHLUSS B - EINLAUF WASSER 1/2" C - WASSERABFLUSS 1/2"
A - ELECTRIC CONNECTION B - WATER INLET 1/2" C - WASTE WATER OUTLET 1/2"	A - CABLE D'ALIMENTATION B - ENTREE EAU 1/2" C - EVACUATION EAU 1/2"

Mod. : BT 12 (8035010)



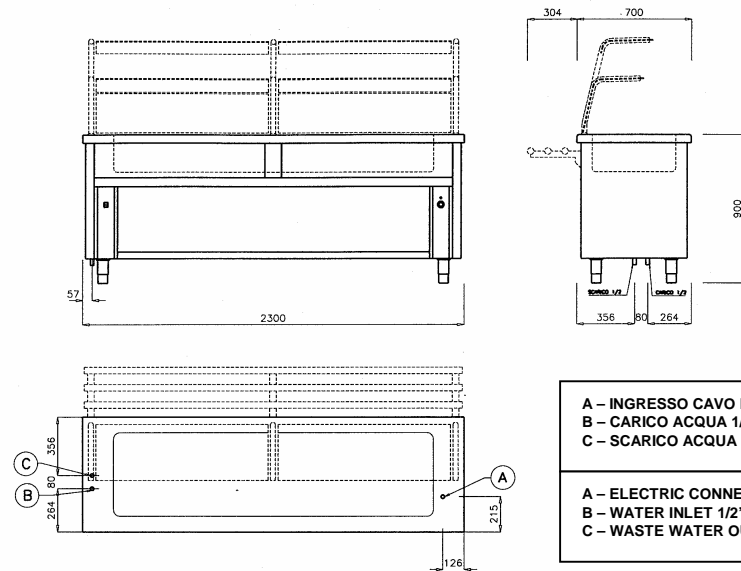
A - INGRESSO CAVO ELETTRICO B - CARICO ACQUA 1/2" C - SCARICO ACQUA 1/2"	A - ELEKTROANSCHLUSS B - EINLAUF WASSER 1/2" C - WASSERABFLUSS 1/2"
A - ELECTRIC CONNECTION B - WATER INLET 1/2" C - WASTE WATER OUTLET 1/2"	A - CABLE D'ALIMENTATION B - ENTREE EAU 1/2" C - EVACUATION EAU 1/2"

Mod. : BT 15 (8035011)



<p>A - INGRESSO CAVO ELETTRICO B - CARICO ACQUA 1/2" C - SCARICO ACQUA 1/2"</p>	<p>A - ELEKTROANSCHLUSS B - EINLAUF WASSER 1/2" C - WASSERABFLUSS 1/2"</p>
<p>A - ELECTRIC CONNECTION B - WATER INLET 1/2" C - WASTE WATER OUTLET 1/2"</p>	<p>A - CABLE D'ALIMENTATION B - ENTREE EAU 1/2" C - EVACUATION EAU 1/2"</p>

Mod. : BT 23 (8035057)



<p>A - INGRESSO CAVO ELETTRICO B - CARICO ACQUA 1/2" C - SCARICO ACQUA 1/2"</p>	<p>A - ELEKTROANSCHLUSS B - EINLAUF WASSER 1/2" C - WASSERABFLUSS 1/2"</p>
<p>A - ELECTRIC CONNECTION B - WATER INLET 1/2" C - WASTE WATER OUTLET 1/2"</p>	<p>A - CABLE D'ALIMENTATION B - ENTREE EAU 1/2" C - EVACUATION EAU 1/2"</p>