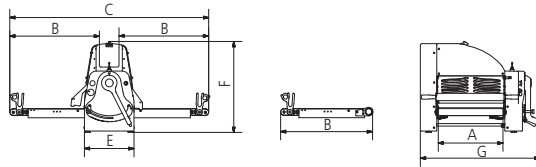


11/2019

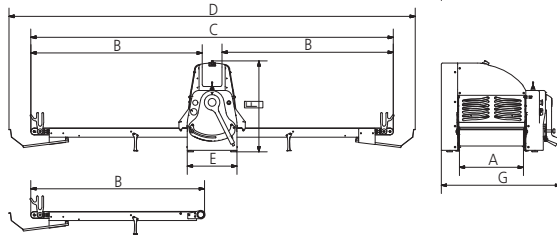
Mod: LM/60-120SS

Production code: SF600-120

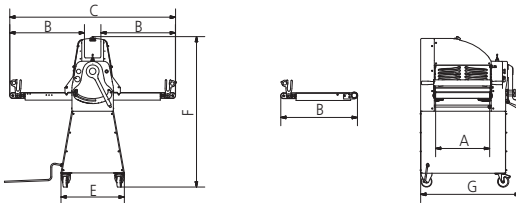
SB500-50/70



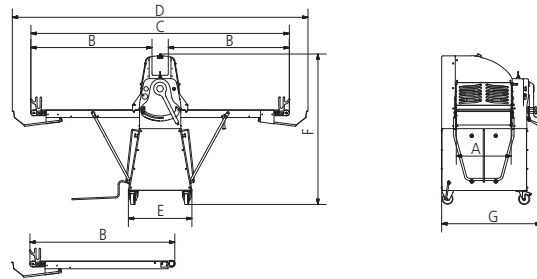
SB500-100/120



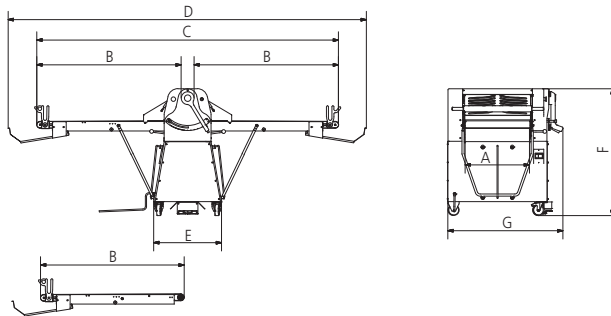
ST500-50/70



ST500-100/120



SF600-85/100/120/140



1.3 Technical specifications

Model	Cylinder length	Cylinder diameter	Table length	Belt speed	Volt	Power	Weight
SB500-50	mm 500	mm 60	mm 500	1	400/50/3	kw 0,55	kg 150
SB500-70	mm 500	mm 60	mm 700	1	400/50/3	kw 0,55	kg 160
SB500-100	mm 500	mm 60	mm 1000	1	400/50/3	kw 0,55	kg 170
SB500-120	mm 500	mm 60	mm 1200	1	400/50/3	kw 0,55	kg 180
SB500P-50	mm 500	mm 60	mm 500	Variable	230/50/1	kw 0,55	kg 150
SB500P-70	mm 500	mm 60	mm 700	Variable	230/50/1	kw 0,55	kg 160
SB500P-100	mm 500	mm 60	mm 1000	Variable	230/50/1	kw 0,55	kg 170
SB500P-120	mm 500	mm 60	mm 1200	Variable	230/50/1	kw 0,55	kg 180
ST500-50	mm 500	mm 60	mm 500	1	400/50/3	kw 0,55	kg 180
ST500-70	mm 500	mm 60	mm 700	1	400/50/3	kw 0,55	kg 190
ST500-100	mm 500	mm 60	mm 1000	1	400/50/3	kw 0,55	kg 200
ST500-120	mm 500	mm 60	mm 1200	1	400/50/3	kw 0,55	kg 210
ST500P-50	mm 500	mm 60	mm 500	Variable	400/50/3	kw 0,55	kg 180
ST500P-70	mm 500	mm 60	mm 700	Variable	400/50/3	kw 0,55	kg 190
ST500P-100	mm 500	mm 60	mm 1000	Variable	230/50/1	kw 0,55	kg 200
ST500P-120	mm 500	mm 60	mm 1200	Variable	400/50/3	kw 0,55	kg 210
SF600-85	mm 600	mm 80	mm 850	1	400/50/3	kw 0,75	kg 250
SF600-100	mm 600	mm 80	mm 1000	1	400/50/3	kw 0,75	kg 250
SF600-120	mm 600	mm 80	mm 1200	1	400/50/3	kw 0,75	kg 260
SF600-140	mm 600	mm 80	mm 1400	1	400/50/3	kw 0,75	kg 270
SF600P-85	mm 600	mm 80	mm 850	Variable	400/50/3	kw 0,75	kg 250
SF600P-100	mm 600	mm 80	mm 1000	Variable	400/50/3	kw 0,75	kg 250
SF600P-120	mm 600	mm 80	mm 1200	Variable	230/50/1	kw 0,75	kg 260
SF600P-140	mm 600	mm 80	mm 1400	Variable	400/50/3	kw 0,75	kg 270

Model	Dimensions mm						
	A	B	C	D	E	F	G
SB500-50	500	500	1120	-	380	700	920
SB500-70	500	700	1520	-	380	700	920
SB500-100	500	1100	2370	2700	380	700	920
SB500-120	500	1300	2770	3100	380	700	920
ST500-50	500	500	1120	-	580	1380	920
ST500-70	500	700	1520	-	580	1380	920
ST500-100	500	1100	2370	2700	580	1380	920
ST500-120	500	1300	2770	3100	580	1380	920
SF600-85	600	966	2070	2585	620	1163	1055
SF600-100	600	1116	2370	2885	620	1163	1055
SF600-120	600	1316	2770	3285	620	1163	1055
SF600-140	600	1516	3170	3685	620	1163	1055