

07/2021

Mod: WR-GRL-G4

Production code: GL-30G_

Snack

gas lava stone grills

Snack units are made of AISI 430 stainless steel with AISI 304 top plate. All snack units include pressed top plate or basins with round internal angles and ergonomic front panels. All connection points are located on the device rear side. Wide selection of models and options helps in setting up a compact customized configuration.



- Selection of modules of 330, 660 mm width
- Two types of burners with output 4 kW and 6,5 kW
- GS burner is removable, G burner is fixed in the burner chamber
- The selection of grid for meat or fish
- Grid material AISI 304
- 660 mm module contains 2 independent burners
- Plate rim (space coverage) is welded on both sides
- Waste liquid basin with 1 L volume
- Control only with the regulation knob. The burner ignition is provided by integrated piezo lighter
- Safety element – thermocouple
- Delivered with 5kg lava stones for module 330 mm and 10 kg stones for module 660 mm
- Gas supply G 1/2"



GL 30 G
GL 30 GS

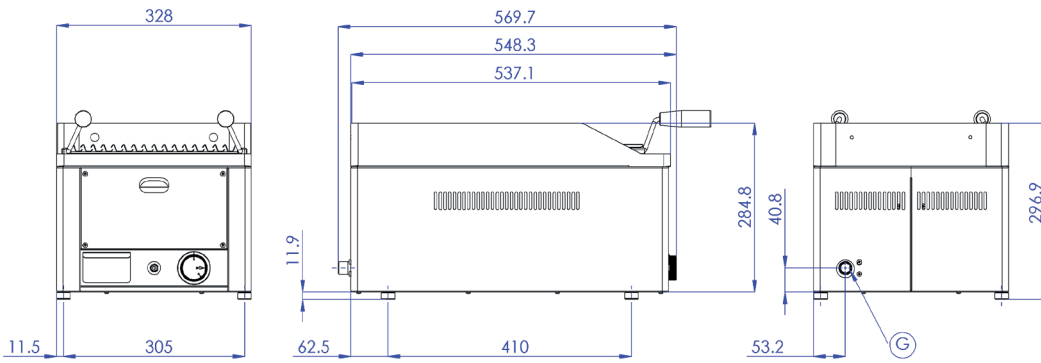


GL 60 G
GL 60 GS

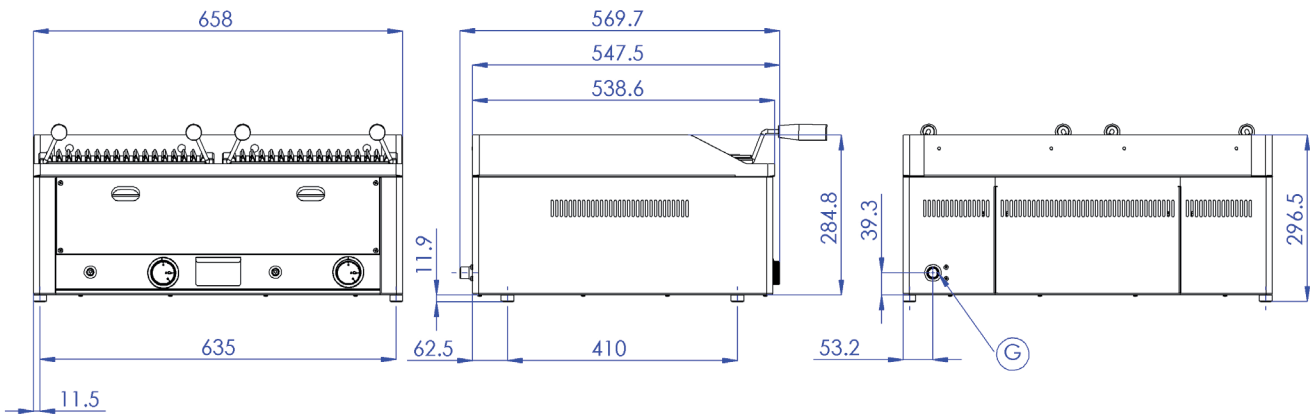
Index	Model	mm	kg	kW	Grid
103 500 100 103 500 110	GL 30 G GL 30 GS	330 x 540 x 220	16,5 17,3	4 6,5	483 X 312
103 500 200 103 500 210	GL 60 G GL 60 GS	660 x 540 x 220	29,2 32,6	4 + 4 6,5 + 6,5	2x 483 X 312

gas lava stone grills

GL 30



GL 60



G - gas