

04/2013

Mod: **GS6/PLT-N**

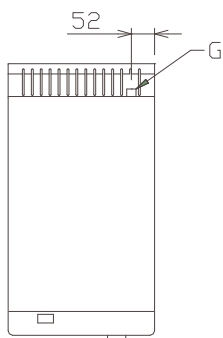
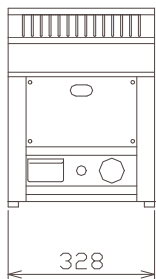
Production code: **FTH-30 GL**



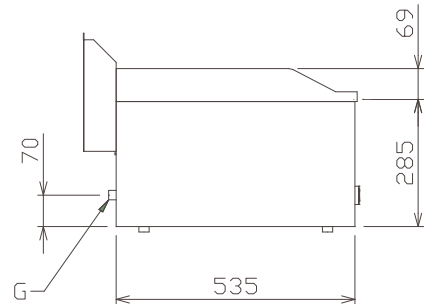
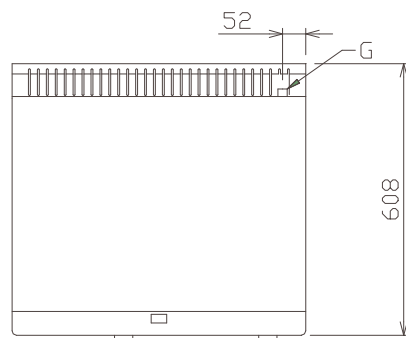
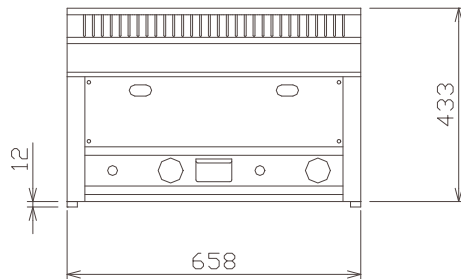
Diamond
catering equipment



FTH-30 GL



FTH-60 GL



G- SUPPLY OF GAS G 1/2"