

02/2015

Mod: TI32/S

Production code: FTI147



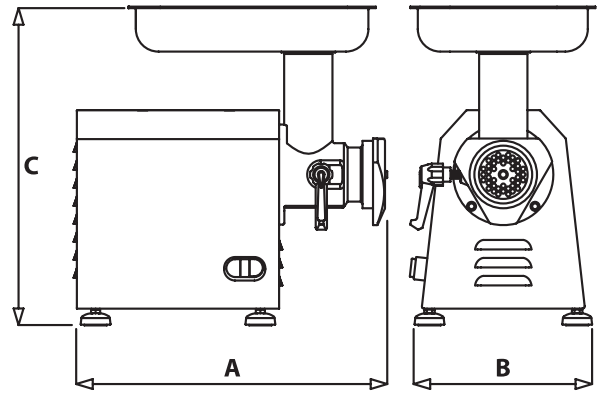
Diamond
catering equipment



TI 32 ECO



gruppo di macinazione modello ENTERPRISE 12, altri gruppi di macinazione disponibili a pag. 056
mincing groups ENTERPRISE 12 model, other mincing groups available at page 056



| | A | B | C | Alimentazione Power supply Spannung | Potenza Motor power Leistung | Gf/m RPM RPM | Produzione oraria Production per hour Stundenproduktion | Bocca Mouth Fleischwulfföhrung | Placca in dotazione Standard plate Ausstattungscheibe | Peso netto mono/tri fase Net weight single/three phase Enphasig/Drephasig-Nettogewicht | Dimensioni imballo Packaging dimensions Verpackungsabmessung | Peso lordo mono/tri fase Gross weight single/three phase Enphasig/Drephasig-Bruttogewicht |
|--------------|-----|-----|-----|---|--|--|---|--------------------------------------|--|--|--|---|
| | mm | mm | mm | Volt/Hz | Kwatt/Hp | | kg | mm | mm | kg | mm | kg |
| TI 8 | 270 | 280 | 350 | 230/50 | 0,38 (0,50) | 80 | 20 | ø60 | ø 6 | 10,0 | 310x260x370 | 11,0 |
| TI 12 | 430 | 215 | 440 | 230/50 - 230-400/50 | 0,75 (1,00) | 200 | 200 | ø70 | ø 6 | 22,0/20,0 | 480x300x510 | 24,0/22,0 |
| TI 22 | 440 | 215 | 440 | 230/50 - 230-400/50 | 1,10 (1,50) | 140 | 300 | ø82 | ø 6 | 25,0/23,0 | 480x300x510 | 27,5/25,5 |
| TI 32 | 500 | 225 | 510 | 230/50 - 230-400/50 | 1,50 (2,00) | 140 | 400 | ø98 | ø 6 | 36,0/35,0 | 590x370x520 | 39,0/38,0 |
| | A | B | C | Alimentation Alimentación eléctrica Линия | Puissance moteur Potencia Мощность | RPM (velocità/min) Вращений/мин. | Production per hour Producción por hora Доходимость | Впускное отверстие: диаметр | Placca standard Lamina pínchada en dotación Дополнительная пластинка | Poids net mono/tri phase Peso neto mono/faseco/trifaseco Вес нетто 1/3 фазы | Dimensione imballo Dim. Размеры упаковки | Poids brut mono/tri phase Peso bruto mono/faseco/trifaseco Вес брутто 1/3 фазы |