

04/2015

# **Mod: 350/BSS-N**

**Production code: 15352202S**



**Diamond**  
catering equipment

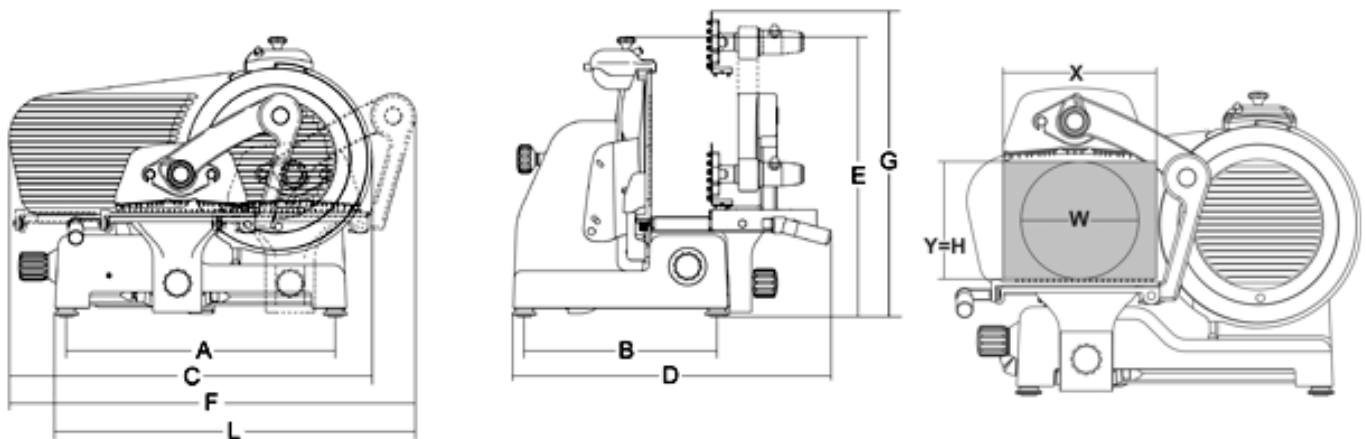
# Mantegna : 350/BSS-N

Sirman Slicers , model Mantegna 350 BS Top :



- Innovative rounded design and no sharp edges or visible screws
- Chrome plated ground and lapped slide rod
- Lapped cast iron slide rod bushing
- Vulcanised rubber stops on carriage
- Removable support cover for thickness gauge plate
- Stainless steel slice deflector with snap-on bayonet fitting
- Stainless steel screws and fittings
- Bottom cover for accessing electrical components
- Built-in sharpening tool with bottom protection
- Easy to remove grease guard mounted along the thickness gauge plate
- Standard blade removal tool
- Aluminium knobs
- Aluminium telescopic feet with rubber base
- Stainless steel pushbuttons with IP67 protection rating.

## Data sheet



## Technical data

|                 |                     |
|-----------------|---------------------|
| Model           | MANTEGNA 350 BS TOP |
| ø blade         | mm 350 - inch. 14   |
| Motor           | watt 370 - Hp 0,50  |
| Cut thickness   | mm 29               |
| Run of carriage | mm 310              |
| Hopper          | mm 300x270          |
| A               | mm 468              |
| B               | mm 338              |
| C               | mm 660              |
| D               | mm 600              |
| E               | mm 530              |
| F               | mm 750              |
| G               | mm 715              |
| L               | mm 630              |
| X               | mm 270              |
| Y               | mm 255              |
| H               | mm 255              |
| W               | mm 255              |
| Net weight      | kg 38               |
| Shipping        | mm 870x840x750      |
| Gross weight    | kg 53               |
| HS-CODE         | 84385000            |