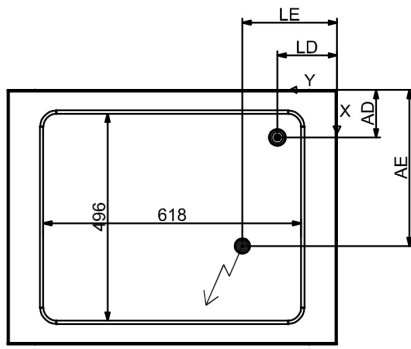
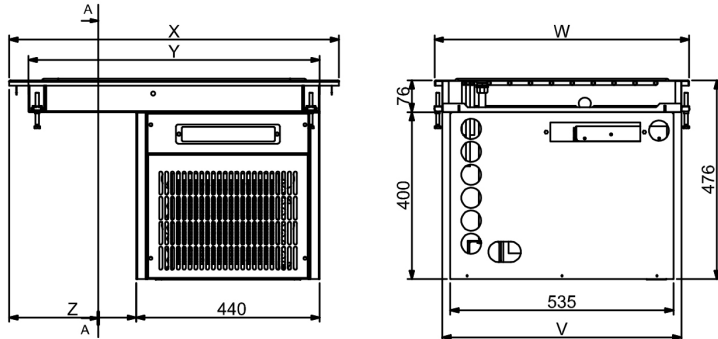



04/2019


# **Mod: IN/RPX15-P**

**Production code: 19043173**

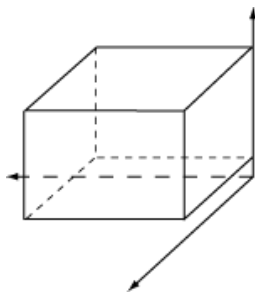


W = 610 mm
LE : 241 mm
LD : 143 mm
AE : 335 mm
AD : 114 mm

H  : - 228,6 mm

H  : - 288 mm

				W = 610 mm
	X	Y	Z	V
2GN	790	698	304	573
3GN	1115	1023	629	573
4GN	1440	1348	954	573
5GN	1765	1673	1279	573



Packaging dimensions:  
Height: 715,000 MM  
Depth: 700,000 MM  
Width: 880,000 MM  
Gross weight: 55,000 KG