

09/2013

Mod: 1THN-MS310

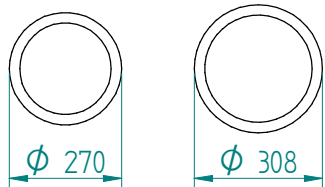
Production code: 1THN-MS310



Diamond
catering equipment

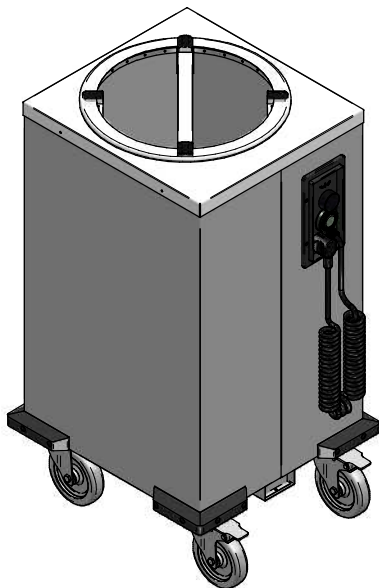
Dispenser: 20.2740 1 THN-MS/310
 heating element 230V-600W

Crockery:



from ϕ 270 to ϕ 308

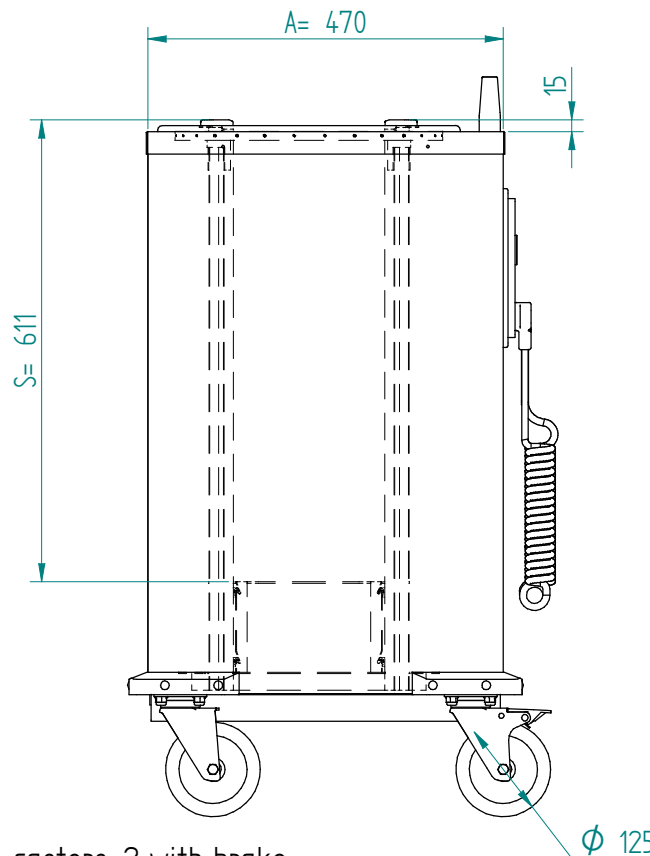
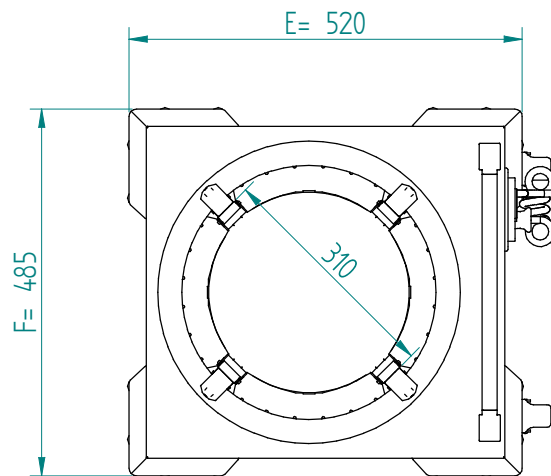
Dimensions: weight (empty): 35 kg
 A x B = trolley, excl. corner bumpers
 E x F = trolley, incl. corner bumpers
 H = trolley height
 S = effective stacking height
 T = height with push bar



EN

VR :

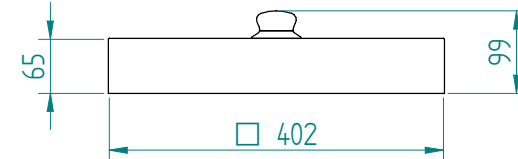
IR :



4 swivel castors, 2 with brake ϕ 125

options, order separate;
 push bar: 90.5000

stst cover: 92.5095



pc cover: 91.5040

