

03/2019

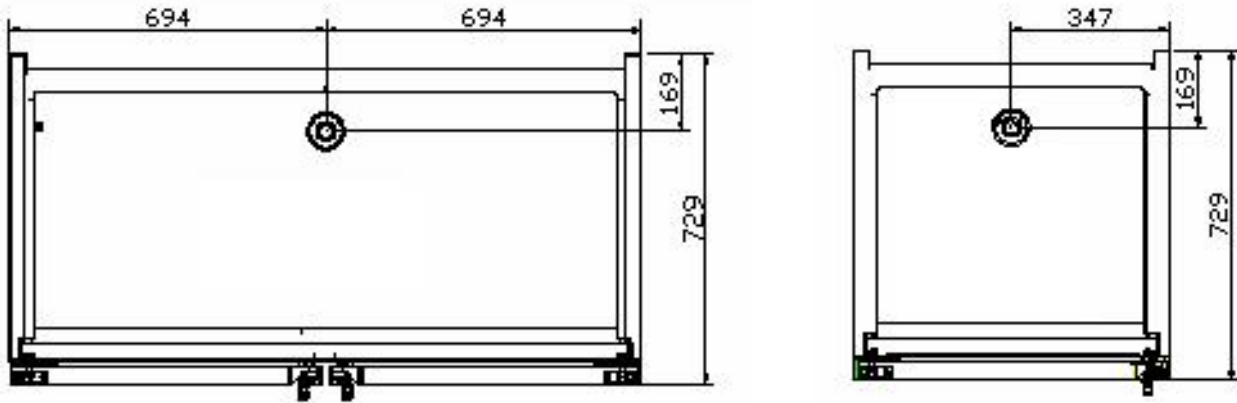
# **Mod: HE706/R2**

**Production code: 19046392**

**GENERAL MEASUREMENTS ON THE OUTSIDE OF ALL THE CABINETS AND EMERGENCY DRAINAGE ANNOTATION IN MM**

MODEL	DIMENSIONS		
	LENGTH	DEPTH	HEIGHT
SNACK			
HD706/R2, HE706/R2	693	729	2067
HD1412/R2, HE1412/R2	1388	729	2067

**EMERGENCY DRAINAGE INSTALMENT MEASUREMENTS**



CABINETS	TENSIÓN VOLTAGE	NOMINAL CURRENT (A)	CONSUMPTION (W)	GENERAL FUSE	DIFFERENTIAL DEVICE
HD706/R2	230v 50Hz	1,5	229	2 A	30 mA
HE706/R2	230v 50Hz	3,6	700	4 A	30 mA
HD1412/R2	230v 50Hz	2,1	374	4 A	30 mA
HE1412/R2	230v 50Hz	4,9	1251	6 A	30 mA