

10/2013

Mod: WGL1-7

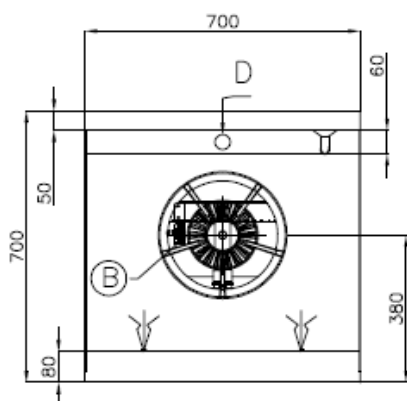
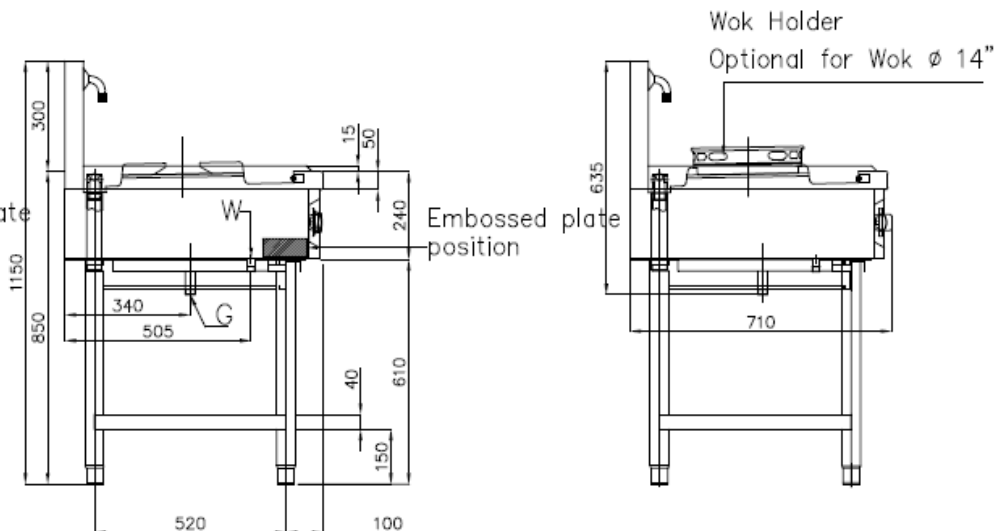
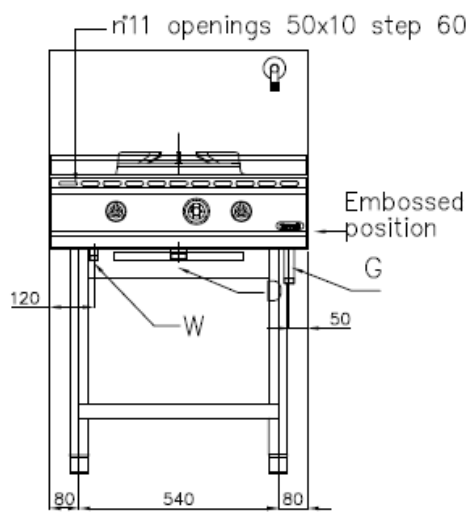
Production code: NGER7-70



Diamond
catering equipment

Model	NGER 7 - 70			NGER 13 - 70			NGER 20 - 70		
Overall Dimension (mm)	Width	Depth	Height	Width	Depth	Height	Width	Depth	Height
	700	700	850 / 1150	1300	700	850 / 1150	2000	700	850 / 1150
Pipe Diameter	Drain (D)	Gas Inlet (G)	Water Inlet (S)	Drain (D)	Gas Inlet (G)	Water Inlet (S)	Drain (D)	Gas Inlet (G)	Water Inlet (S)
	R 1 1/4"	R 3/4"	R 1/2"	R 1 1/4"	R 3/4"	R 1/2"	R 1 1/4"	R 3/4"	R 1/2"
Number of Burners	1			2			3		
Wok Ring Diameter (mm)	280			280			280		
Nominal Heat Input	Natural Gas : 13 kW LPG : 11.5 kW			Natural Gas : 26 kW LPG : 23 kW			Natural Gas : 39 kW LPG : 34.5 kW		
Gas Pressure Connection	G 30 / G 31 : 28 - 30 / 37 mbar G 30 G 31 : 50 mbar G 20 : 20 mbar G 25 : 20 - 25 mbar			G 30 / G 31 : 28 - 30 / 37 mbar G 30 G 31 : 50 mbar G 20 : 20 mbar G 25 : 20 - 25 mbar			G 30 / G 31 : 28 - 30 / 37 mbar G 30 G 31 : 50 mbar G 20 : 20 mbar G 25 : 25 mbar		
Ignition	Manual			Manual			Manual		

NGER 7 - 70



- B= Open Burner 13 kW Max.
- G= Gas Connection R 3/4"
- W= Water Connection R 1/2"
- D= Drain R 1 1/4"