

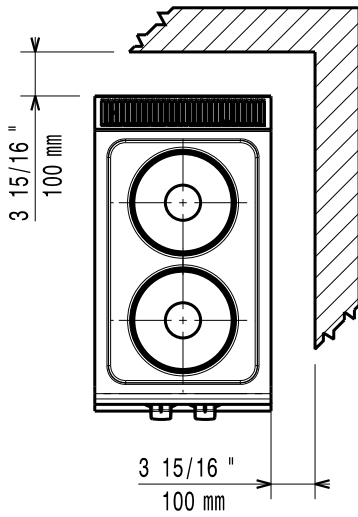
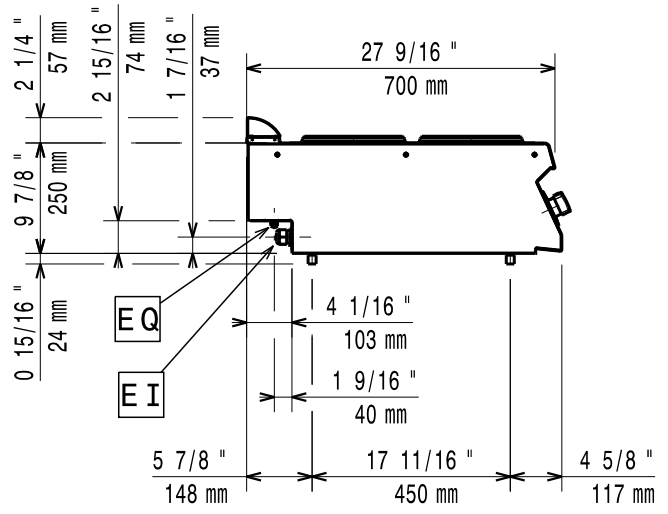
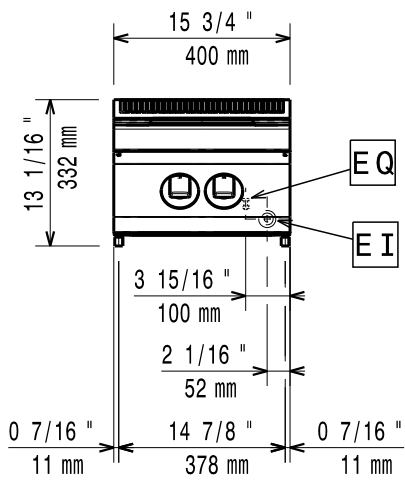
11/2011

# **Mod: E17/2P4T-N**

**Production code: 373014**



**Diamond**  
catering equipment



597857700