

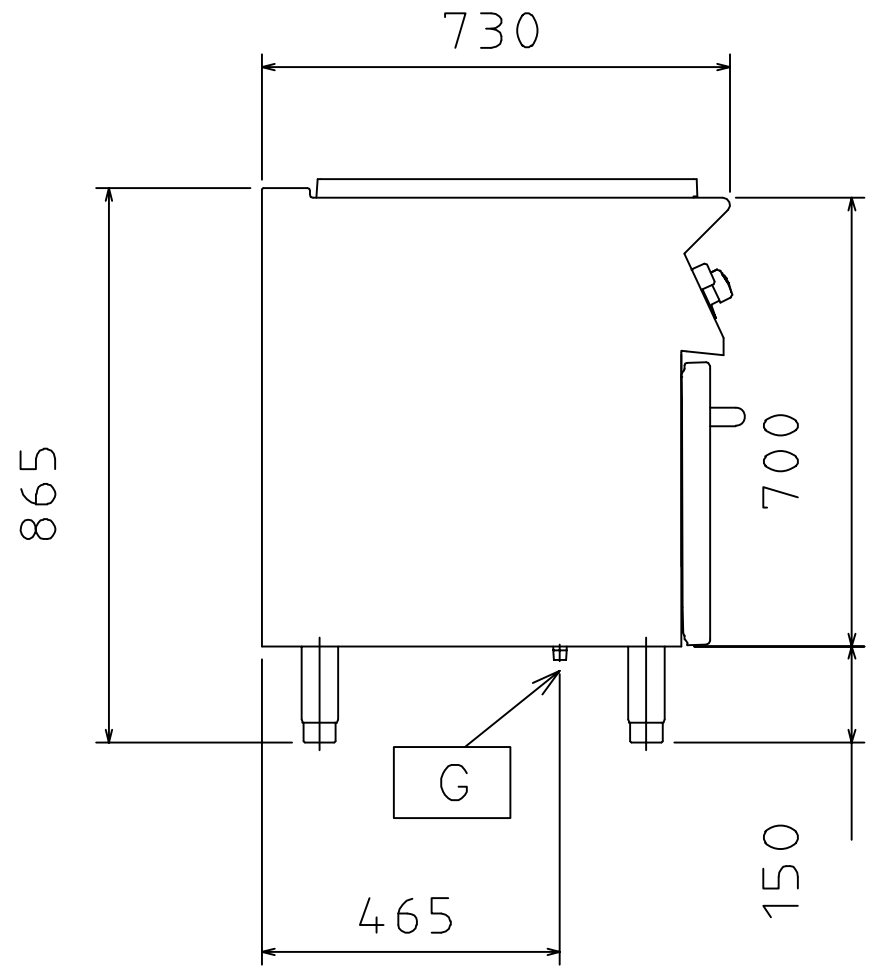
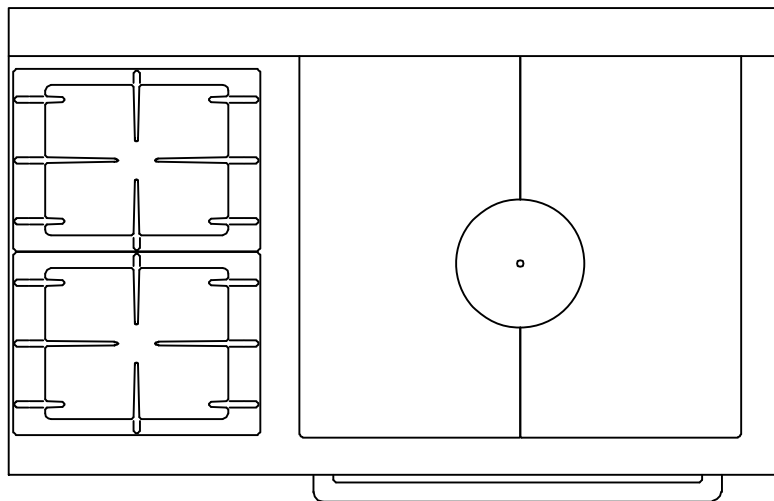
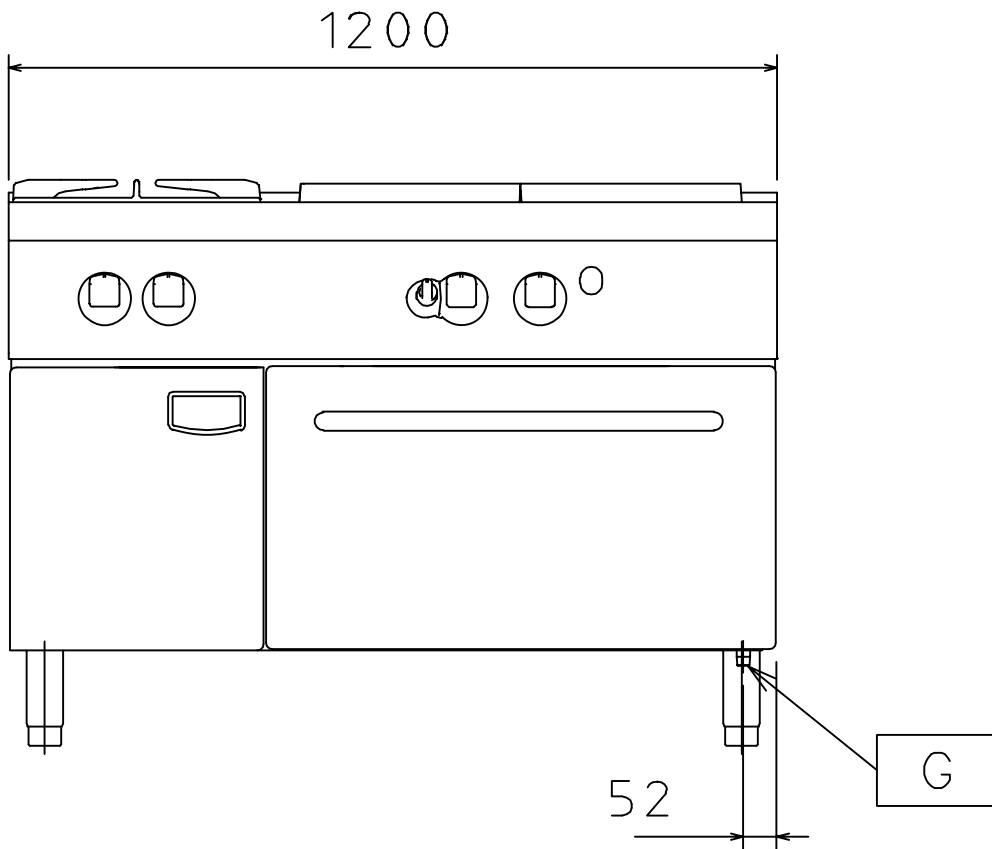
11/2011

# **Mod: G17/T2BFA12-N**

**Production code: 373010**



**Diamond**  
catering equipment



597839400