

07/2018

Mod: ICE115AS-R2

Production code: GB903A HC



Diamond
catering equipment



Self-contained ice maker - Granular system
Daily production up to 125 kg

| | |
|---------------|------------|
| Hotel | ██████████ |
| Restaurant | ██████████ |
| Fast food | ██████████ |
| Bar | ██████████ |
| Disco | ██████████ |
| Fish market | ██████████ |
| Supermarket | ██████████ |
| Medical & SPA | ██████████ |
| Industry | ██████████ |

► Position n°



► Features & Plus

- Granular ice - 80-82% dry
- 1l (water) - 1kg (ice) - only Air cooled
- AISI 304 SS Scotch Brite finish
- Tropical class +43°C
- Adjustable Stainless Steel feet
- Removable and cleanable air filter
- AISI 304 SS evaporator
- Air or water cooling system
- Easy cleanable internal rounded surfaces
- HCFC-Free insulated storage
- Dust-proof water basin
- RoHS Free
- Disappearing insulated door
- Electromechanical operation
- ON-OFF rocker switch
- Automatic water charge
- Standard and special voltages
- HFC Free



AISI 304 SS Scotch Brite finish



Removable and cleanable air filter



AISI 304 SS evaporator



Dust-proof water basin



Disappearing insulated door

► Prod. 24h

| 🌡️ | Air temp. | | Water temp. | | Kg | Lbs |
|----|-----------|-------|-------------|-------|-----|-----|
| | 10° C | 50° F | 7° C | 45° F | | |
| | 21° C | 70° F | 15° C | 60° F | | |
| | | | | | 125 | 276 |
| | | | | | 113 | 249 |

► Certifications available for this model



Your professional partner

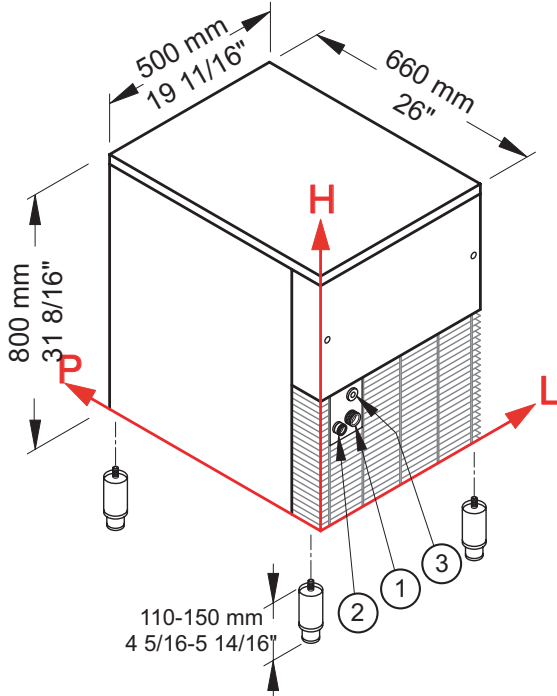


Ice Flakes

GB 903 HC



Self-contained ice maker - Granular system Daily production up to 125 kg



► Working conditions

- Location: **Indoor**

| | Min | Max |
|----------------------|-----------------|-----------------|
| Ambient temperature | +10° C / +50° F | +43° C / 110° F |
| Water temperature | +3° C / +37° F | +32° C / +90° F |
| Voltage | -10% | +10% |
| Water inlet pressure | 1bar (14 psi) | 6bar (84 psi) |

► Performances

| | Air temperature | Water temperature | Water temperature | | | | | |
|--|-----------------|-------------------|-------------------|--------|---------|-------|---------|-------|
| | | | 7° C | 45° F | 15° C | 60° F | 21° C | 70° F |
| | 10° C | 125 kg | | | | | | |
| | 50° F | 276 lbs | | | | | | |
| | 21° C | | | 113 kg | | | | |
| | 70° F | | | | 249 lbs | | | |
| | 32° C | | | | | 93 kg | | |
| | 90° F | | | | | | 205 lbs | |

► Connections

All measures are referred to the rear bottom-left corner (L-H-Ø)

- ① Water in.: 99 mm / 3 14/16" - 158 mm / 6 4/16" - 3/4"
- ② Water out.: 48 mm / 1 14/16" - 151 mm / 5 15/16" - 24 mm / 15/16"
- ③ Electrical connections: 87 mm / 3 7/16" - 230 mm / 9 1/16"

► Technical information

| | | | |
|---------------------------|--|----------------------------|------------------------------|
| Production in 24h | 113 kg / 249 lbs | Water consumption | A: 1 l/kg - 12,0 gal/100 lbs |
| Store capacity, up to | 30 kg / 66 lbs | | W: 7 l/kg - 84 gal/100 lbs |
| Cooling system | A - W | Sizes (L-P-H mm) | 500 - 660 - 800 |
| Refrigerant | R290 | (L-P-H in) | 19 11/16 - 26 - 31 8/16 |
| Standard voltage | 220-240 V ~ 50 Hz | Sizes with pack (L-P-H mm) | 550 - 720 - 990 |
| Average power consumption | 470 W | (L-P-H in) | 21 10/16 - 28 6/16 - 39 |
| Fuse | 10 A | Net weight | 67 kg / 148 lbs |
| Electrical consumption | 11 kWh/100kg | Gross weight | 76 kg / 168 lbs |
| Finish | AISI 304 stainless steel, scotch brite | | |

All the technical information must be considered at the following conditions:

- Sizes without feet
- Ambient temperature +21° C
- Water temperature +15° C
- Electrical consumption at +32° C (standard voltage)
- Average power consumption at +43° C (standard voltage)

Models and specifications are subject to change without notice

Rev. 03 - Issued April 2018

Your professional partner