

07/2018

# **Mod: ICE155A-R2**

**Production code: CB1565A HC**



**Diamond**  
catering equipment



## Self-contained ice maker - Sprayer system Daily production up to 155 kg

Hotel	████████████████████
Restaurant	████████████████████
Fast food	████████████████████
Bar	████████████████████
Disco	████████████████████
Fish market	████████████████████
Supermarket	████████████████████
Medical & SPA	████████████████████
Industry	████████████████████

### ► Position n°



### ► Features & Plus

- Compact and crystal cube
- AISI 304 SS Scotch Brite finish
- Tropical class +43°C
- Adjustable Stainless Steel feet
- Air or water cooling system
- Easy cleanable internal rounded surfaces
- HCFC-Free insulated storage
- RoHS Free
- Disappearing insulated door
- Electromechanical operation
- ON-OFF rocker switch
- Standard and special voltages
- HFC Free



AISI 304 SS Scotch Brite finish



Adjustable Stainless Steel feet



Easy cleanable internal rounded surfaces



Disappearing insulated door

### ► Available ice cube size



### ► Prod. 24h

Air temp.	Water temp.		kg	lbs	
	10° C	50° F			7° C
10° C	50° F	7° C	45° F	155	342
21° C	70° F	15° C	60° F	154	340

### ► Certifications available for this model



*Your professional partner*

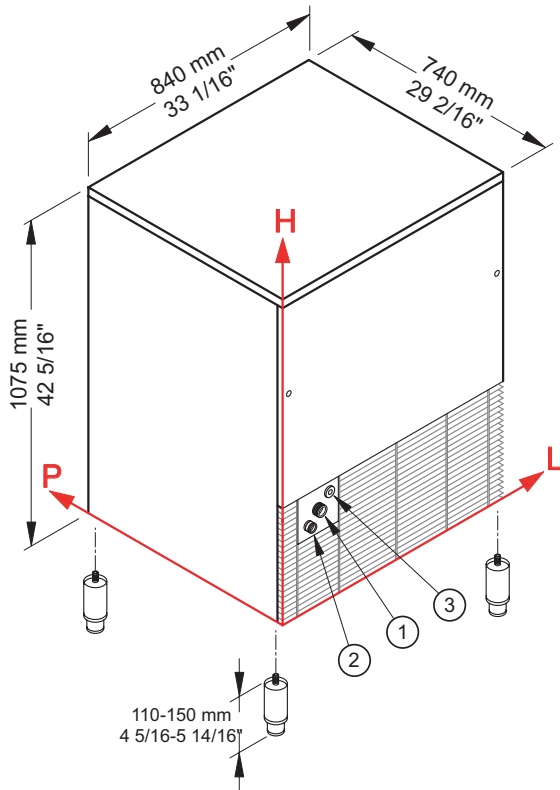


Ice Cube

# CB 1565 HC



## Self-contained ice maker - Sprayer system Daily production up to 155 kg



### ► Working conditions

- Location: **Indoor**

	Min	Max
Ambient temperature	+10° C / +50° F	+43° C / 110° F
Water temperature	+3° C / +37° F	+32° C / +90° F
Voltage	-10%	+10%
Water inlet pressure	1bar (14 psi)	6bar (84 psi)

### ► Performances

	Air temperature	Water temperature					
		7° C	45° F	15° C	60° F	21° C	70° F
	10° C	155 kg					
	50° F		342 lbs				
	21° C			154 kg			
	70° F				340 lbs		
	32° C					145 kg	
	90° F						320 lbs

### ► Connections

All measures are referred to the rear bottom-left corner (L-H-Ø)

- ① Water in.: 141 mm / 5 9/16" - 290 mm / 11 7/16" - 3/4"      ② Water out.: 79 mm / 3 2/16" - 245 mm / 9 10/16" - 24 mm / 15/16"
- ③ Electrical connections: 186 mm / 7 5/16" - 326 mm / 12 13/16"

### ► Technical information

Production in 24h	154 kg / 340 lbs	Water consumption	A: 2 l/kg - 24 gal/100 lbs
Store capacity, up to	65 kg / 143 lbs	Sizes (L-P-H mm)	840 - 740 - 1075
Cooling system	A	(L-P-H in)	33 1/16 - 29 2/16 - 42 5/16
Kind of cube	A-18g	Sizes with pack (L-P-H mm)	880 - 785 - 1245
Refrigerant	R290	(L-P-H in)	34 10/16 - 30 14/16 - 49
Standard voltage	220-240 V ~ 50 Hz	Net weight	118 kg / 260 lbs
Average power consumption	1280 W	Gross weight	138 kg / 304 lbs
Fuse	16 A	Finish	AISI 304 stainless steel, scotch brite
Electrical consumption	19 kWh/100kg		

All the technical information must be considered at the following conditions:

- Sizes without feet
- Standard Cube (13 g)
- Ambient temperature +21° C
- Water temperature +15° C
- Electrical consumption at +32° C (standard voltage)
- Average power consumption at +43° C (standard voltage)

Models and specifications are subject to change without notice

Rev. 00 - Issued April 2018

*Your professional partner*