

07/2018

Mod: ICE130A-R2

Production code: CB1265A HC



Diamond
catering equipment



Self-contained ice maker - Sprayer system Daily production up to 138 kg

Hotel	████████████████████
Restaurant	██████████████████
Fast food	██████████████
Bar	██████████████████
Disco	██████████████████
Fish market	██████████████
Supermarket	██████████████
Medical & SPA	██████████████
Industry	██████████

► Position n°



► Features & Plus

- Compact and crystal cube
- AISI 304 SS Scotch Brite finish
- Tropical class +43°C
- Adjustable Stainless Steel feet
- Removable and cleanable air filter
- Air or water cooling system
- Easy cleanable internal rounded surfaces
- HCFC-Free insulated storage
- RoHS Free
- Disappearing insulated door
- Electromechanical operation
- ON-OFF rocker switch
- Standard and special voltages
- HFC Free



AISI 304 SS Scotch Brite finish



Adjustable Stainless Steel feet



Removable and cleanable air filter

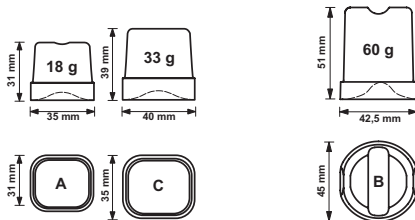


Easy cleanable internal rounded surfaces



Disappearing insulated door

► Available ice cube size



► Prod. 24h

Air temp.	Water temp.		kg	lbs
	10° C	50° F		
10° C	50° F	7° C	138	304
21° C	70° F	15° C	134	295

► Certifications available for this model



Your professional partner

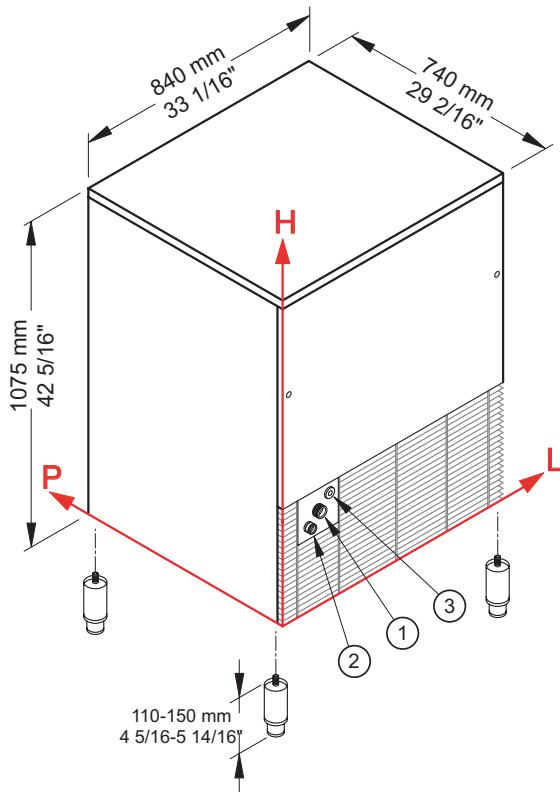


Ice Cube

CB 1265 HC



Self-contained ice maker - Sprayer system Daily production up to 138 kg



► Working conditions

- Location: **Indoor**

	Min	Max
Ambient temperature	+10° C / +50° F	+43° C / 110° F
Water temperature	+3° C / +37° F	+32° C / +90° F
Voltage	-10%	+10%
Water inlet pressure	1bar (14 psi)	6bar (84 psi)

► Performances

	Air temperature	Water temperature					
		7° C	45° F	15° C	60° F	21° C	70° F
	10° C	138 kg					
	50° F		304 lbs				
	21° C			134 kg			
	70° F				295 lbs		
	32° C					122 kg	
	90° F						269 lbs

► Connections

All measures are referred to the rear bottom-left corner (L-H-Ø)

- ① Water in.: 141 mm / 5 9/16" - 290 mm / 11 7/16" - 3/4" ② Water out.: 79 mm / 3 2/16" - 245 mm / 9 10/16" - 24 mm / 15/16"
- ③ Electrical connections: 186 mm / 7 5/16" - 326 mm / 12 13/16"

► Technical information

Production in 24h	134 kg / 295 lbs	Water consumption	A: 2 l/kg - 24 gal/100 lbs
Store capacity, up to	65 kg / 143 lbs	Sizes (L-P-H mm)	840 - 740 - 1075
Cooling system	A	(L-P-H in)	33 1/16 - 29 2/16 - 42 5/16
Kind of cube	A-18g, C-33g, B-60g	Sizes with pack (L-P-H mm)	880 - 785 - 1245
Refrigerant	R290	(L-P-H in)	34 10/16 - 30 14/16 - 49
Standard voltage	220-240 V ~ 50 Hz	Net weight	113 kg / 249 lbs
Average power consumption	1250 W	Gross weight	133 kg / 293 lbs
Fuse	16 A	Finish	AISI 304 stainless steel, scotch brite
Electrical consumption	23 kWh/100kg		

All the technical information must be considered at the following conditions:

- Sizes without feet
- Standard Cube (13 g)
- Ambient temperature +21° C
- Water temperature +15° C
- Electrical consumption at +32° C (standard voltage)
- Average power consumption at +43° C (standard voltage)

Models and specifications are subject to change without notice

Rev. 01 - Issued April 2018

Your professional partner